



CLAMPS & CLAMPING SYSTEMS



Jan 2009

All dimensions are nominal. Products may vary slightly to those pictured

PRICING FOR THIS SECTION FOUND IN THE INDUSTRIAL PRODUCTS PRICE LIST

Customer Service - Phone: 1300 349 320 Fax: 1300 349 321

www.fhshose.com.au

MELBOURNE - SYDNEY - NEWCASTLE





CLAMPS & CLAMPING SYSTEMS

INDEX

Description	Page
Claw Clamps	163
Bolt Clamps	163
Spiral Clamps	164
Tube Clamps	164
Pipe Retaining Clips	165
Wormdrives - Smooth bore & Screwdrivers	166-167
Wormdrives - Continuous Band & Buckles	167
Constant Torque	168
Spring Wire Clamps	168
Wormdrives—Slotted Band & High Torque	169
Quick Release Clamps	169
Cobra Clips	170
Fuel Line Clamps	170
Oetiker Clamps & Tools	171
GBS (T Bolt, Superclamps)	172
Norma Connect Pipe Couplings	173
Merchandisers & Grab Packs	174
Band Strap & Buckles	175
Ultra-Lok preformed	175
JR preformed	176
Bandit Centre Punch & Merchandising kits	177
Banding tools	178
Other	179

All dimensions are nominal. Products may vary slightly to those pictured

PRICING FOR THIS SECTION FOUND IN THE INDUSTRIAL PRODUCTS PRICE LIST

Customer Service - Phone: 1300 349 320 Fax: 1300 349 321

www.fhshose.com.au

MELBOURNE - SYDNEY - NEWCASTLE





BOLT CLAMPS

Claw Clamp

Malleable Iron clamp for use with Air Claw Couplings, and any other fitting with a 'collar'



HOSE I.D.	HOSE O.D.		STANDARD PART NUMBER	LUDEKE PART NUMBER
12mm	22 - 27mm		F-BCC-012	-
12mm	22 - 29mm		-	F-QLC-029
20mm	28 - 32mm		F-BCC-020	F-QLC-034
25mm	35 - 42mm		F-BCC-025	F-QLC-039
25mm	42 - 45mm		-	F-QLC-044
38mm	45 - 53mm		F-BCC-038	F-QLC-051
38mm	45 - 53mm	With Chain	F-BCC-038C	-
38mm	55 - 60mm		-	F-QLC-060
50mm	60 - 73mm		F-BCC-050	F-QLC-073
50mm	60 - 73mm	With Chain	F-BCC-050C	-
75mm	60 - 73mm		F-BCC-075	-
75mm	97 - 106mm	With Chain	F-BCC-075C	-

Double Bolt Clamp

Malleable Iron



HOSE OD MM RANGE	PART NUMBER
17 - 22	F-DBC-022
22 - 29	F-DBC-029
28 - 34	F-DBC-034
32 - 40	F-DBC-040
39 - 49	F-DBC-049
48 - 60	F-DBC-060
60 - 76	F-DBC-076
77 - 94	F-DBC-094
89 - 97	F-DBC-400
103 - 109	F-DBC-463
108 - 125	F-DBC-525
114 - 128	F-DBC-550
130 - 145	F-DBC-600
151 - 165	F-DBC-675
165 - 192	F-DBC-769
195 - 208	F-DBC-818
209 - 225	F-DBC-875

High Pressure Clamp

Malleable Iron for use with Steam fittings (Ground Joint etc)



SUIT HOSE	HOSE O.D.	PART NUMBER
12mm	24-27mm	F-HPC-027
12mm	27-30mm	F-HPC-030
20mm	30-34mm	F-HPC-034
20mm	34-38mm	F-HPC-038
20mm	38-43mm	F-HPC-043
24mm	36-40mm	F-HPC-040
25mm	39-44mm	F-HPC-044
25mm	41-47mm	F-HPC-047
25mm	48-52mm	F-HPC-052
32mm	52-57mm	F-HPC-057
38mm	53-58mm	F-HPC-058
38mm	57-62mm	F-HPC-062
50mm	63-71mm	F-HPC-071
50mm	70-78mm	F-HPC-078
50mm	78-87mm	F-HPC-087
63mm	89-100mm	F-HPC-100
75mm	97-106mm	F-HPC-106
75mm	108-122mm	F-HPC-122

All dimensions are nominal. Products may vary slightly to those pictured

PRICING FOR THIS SECTION FOUND IN THE INDUSTRIAL PRODUCTS PRICE LIST

Customer Service - Phone: 1300 349 320 Fax: 1300 349 321

www.fhshose.com.au

MELBOURNE - SYDNEY - NEWCASTLE





SPIRAL CLAMPS & TUBE CLAMPS



SPIRAL CLAMPS

Plated carbon steel for hoses with corrugated spiral cover.

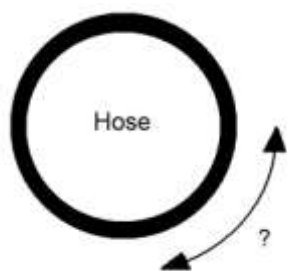
Spiralite Products use a Right-hand Clamp

TO SUIT		RIGHT HAND SPIRAL	LEFT HAND SPIRAL
HOSE ID		PART NO.	PART NO.
38mm	(1.50")	F-SPR-038	F-SPL-038
50mm	(2.00")	F-SPR-050	F-SPL-050
65mm	(2.50")	F-SPR-063	F-SPL-063
75mm	(3.00")	F-SPR-075	F-SPL-075
102mm	(4.00")	F-SPR-100	F-SPL-100
127mm	(5.00")	F-SPR-125	F-SPL-125
152mm	(6.00")	F-SPR-150	F-SPL-150
203mm	(8.00")	F-SPR-200	F-SPL-200
254mm	(10.00")	F-SPR-250	F-SPL-250
305mm	(12.00")	F-SPR-300	F-SPL-300

Standard Weld Mount Tube Clamp

Other sizes and styles available on request, please call for details.

SIZE (TUBE OD)	SINGLE TUBE PART NUMBER	DOUBLE TUBE PART NUMBER
1/4"	O-TCSI04	O-TCDI04
3/8"	O-TCSI06	O-TCDI06
1/2"	O-TCSI08	O-TCDI08
5/8"	O-TCSI10	O-TCDI10
3/4"	O-TCSI12	O-TCDI12
1"	O-TCSI16	O-TCDI16
1 1/4"	O-TCSI20	O-TCDI20
1 1/2"	O-TCSI24	O-TCDI24
2"	O-TCSI32	O-TCDI32
10MM	O-TCSM10	O-TCDM10
12MM	O-TCSM12	O-TCDM12
15MM	O-TCSM15	O-TCDM15
18MM	O-TCSM18	O-TCDM18
22MM	O-TCSM22	O-TCDM22



Which Spiral Clamp to use?

Look down the end of the hose.

- * If the Helix spirals away from you in a clockwise direction use a Right Hand clamp.
- * If it spirals away from you in an anti-clockwise direction use a Left Hand Clamp





PIPE RETAINING CLIPS

Rubber Lined Pipe clips for pipe or hose Support



6mm Bolt Hole

BAND WIDTH (MM)	CLAMP I.D. (MM)	PART NUMBER MILD STEEL
15.0	4.0	SN-RSGU1-4/15-1
12.0	6.0	SN-RLGU1-6/12-1
12.0	9.0	SN-RLGU1-9/12-1
12.0	10.0	SN-RLGU1-10/12-1
12.0	12.0	SN-RLGU1-12/12-1
12.0	13.0	SN-RLGU1-13/12-1
12.0	15.0	SN-RLGU1-15/12-1
12.0	16.0	SN-RLGU1-16/12-1
12.0	18.0	SN-RLGU1-18/12-1
12.0	19.0	SN-RLGU1-19/12-1
12.0	20.0	SN-RLGU1-20/12-1
12.0	22.0	SN-RLGU1-22/12-1
12.0	25.0	SN-RLGU1-25/12-1
12.0	27.0	SN-RLGU1-27/12-1
12.0	29.0	SN-RLGU1-29/12-1
12.0	32.0	SN-RLGU1-32/12-1
12.0	35.0	SN-RLGU1-35/12-1
12.0	38.0	SN-RLGU1-38/12-1
12.0	40.0	SN-RLGU1-40/12-1
12.0	45.0	SN-RLGU1-45/12-1
15.0	48.0	SN-RSGU1-48/15-1
15.0	50.0	SN-RSGU1-50/15-1
15.0	54.0	SN-RSGU1-54/15-1
20.0	57.0	SN-RSGU1-57/20-1
20.0	60.0	SN-RSGU1-60/20-1
20.0	64.0	SN-RSGU1-64/20-1
20.0	66.0	SN-RSGU1-66/20-1
20.0	76.0	SN-RSGU1-76/20-1

6mm Bolt Hole

BAND WIDTH (MM)	CLAMP I.D. (MM)	PART NUMBER STAINLESS STEEL
15.0	6.0	SN-RSGU1-6/15-W5
15.0	8.0	SN-RSGU1-8/15-W5
15.0	10.0	SN-RSGU1-10/15-W5
15.0	12.0	SN-RSGU1-12/15-W5
15.0	14.0	SN-RSGU1-14/15-W5
15.0	15.0	SN-RSGU1-15/15-W5
15.0	16.0	SN-RSGU1-16/15-W5
15.0	18.0	SN-RSGU1-18/15-W5
15.0	22.0	SN-RSGU1-22/15-W5
15.0	25.0	SN-RSGU1-25/15-W5
15.0	30.0	SN-RSGU1-30/15-W5
15.0	38.0	SN-RSGU1-38/15-W5

10mm Bolt Hole

BANK WIDTH (MM)	CLAMP I.D. (MM)	PART NUMBER MILD STEEL
16.0	6.0	SN-RSGU1-0616/10-1W
16.0	9.0	SN-RSGU1-0916/10-1W
16.0	10.0	SN-RSGU1-1016/10-1W
16.0	13.0	SN-RSGU1-1316/10-1W
16.0	15.0	SN-RSGU1-1516/10-1W
16.0	16.0	SN-RSGU1-1616/10-1W
16.0	18.0	SN-RSGU1-1816/10-1W
16.0	19.0	SN-RSGU1-1916/10-1W
16.0	20.0	SN-RSGU1-2016/10-1W
16.0	22.0	SN-RSGU1-2216/10-1W
16.0	25.0	SN-RSGU1-2516/10-1W
16.0	27.0	SN-RSGU1-2716/10-1W
16.0	29.0	SN-RSGU1-2916/10-1W
16.0	32.0	SN-RSGU1-3216/10-1W
16.0	35.0	SN-RSGU1-3516/10-1W
16.0	38.0	SN-RSGU1-3816/10-1W
16.0	51.0	SN-RSGU1-5116/10-1W



PRICING FOR THIS SECTION FOUND IN THE INDUSTRIAL PRODUCTS PRICE LIST

Customer Service - Phone: 1300 349 320 Fax: 1300 349 321

www.fhshose.com.au

MELBOURNE - SYDNEY - NEWCASTLE



SMOOTH BORE WORMDRIVES



7.5mm Band Width

CLAMPING RANGE - MM	W1 ZINC PLATED	W3 430SS	W5 MARINE 316SS
8-12mm	-	SN-8-12/7.5W3P	-
10-16mm	-	SN-10-16/7.5W3P	-

9mm Band Width

CLAMPING RANGE - MM	W1 ZINC PLATED	W3 430SS	W5 MARINE 316SS
8-12mm	SN-8-12/9W1P	-	-
8-16mm	-	SN-8-16/9W3P	SN-8-16/9W5P
10-16mm	SN-10-16/9W1P	-	-
12-20mm	-	SN-12-20/9W3P	SN-12-20/9W5P
12-22mm	SN-12-22/9W1P	-	-
16-25mm	-	SN-16-25/9W3P	SN-16-25/9W5P
20-32mm	-	SN-20-32/9W3P	-
25-40mm	-	SN-25-40/9W3P	-
30-45mm	-	SN-30-45/9W3P	-
35-50mm	-	SN-32-50/9W3P	-
40-60mm	-	SN-40-60/9W3P	-
50-70mm	-	SN-50-70/9W3P	-
60-80mm	-	SN-60-80/9W3P	-
70-90mm	-	SN-70-90/9W3P	-
80-100mm	-	SN-80-100/9W3P	-
90-110mm	-	SN-90-110/9W3P	-



BULK PACKS OF 100 ARE AVAILABLE ON REQUEST

FLEXI-SCREWDRIVERS

SUIT HEAD SIZE	SUITS	PART NUMBER
6mm		SN-SW6
7mm		SN-SW7
7mm (long shaft)		SN-SW7L
6-7mm	SOLID BAND CLAMPS	SN-SW6/7
1/4" & 5/16"	PERFORATED CLAMPS	SN-SW6/8
5/16" (long shaft)		SN-SW8L



All dimensions are nominal. Products may vary slightly to those pictured

PRICING FOR THIS SECTION FOUND IN THE INDUSTRIAL PRODUCTS PRICE LIST

Customer Service - Phone: 1300 349 320 Fax: 1300 349 321

www.fhshose.com.au

MELBOURNE - SYDNEY - NEWCASTLE





SMOOTH BORE WORMDRIVES

NORMA
The Connecting Professionals

12mm Band Width

CLAMPING RANGE - MM	W1 ZINC PLATED	W3 430SS	W5 MARINE 316SS
16-27	SN-16-27/12W1P	SN-16-27/12W3P	SN-16-27/12W5P
20-32	SN-20-32/12W1P	SN-20-32/12W3P	SN-20-32/12W5P
25-40	SN-25-40/12W1P	SN-25-40/12W3P	SN-25-40/12W5P
30-45	SN-30-45/12W1P	SN-30-45/12W3P	SN-30-45/12W5P
32-50	SN-35-50/12W1P	SN-35-50/12W3P	SN-35-50/12W5P
40-60	SN-40-60/12W1P	SN-40-60/12W3P	SN-40-60/12W5P
50-70	SN-50-70/12W1P	SN-50-70/12W3P	SN-50-70/12W5P
60-80	SN-60-80/12W1P	SN-60-80/12W3P	SN-60-80/12W5P
70-90	SN-70-90/12W1P	SN-70-90/12W3P	SN-70-90/12W5P
80-100	SN-80-100/12W1P	SN-80-100/12W3P	SN-80-100/12W5P
90-110	SN-90-110/12W1P	SN-90-110/12W3P	SN-90-110/12W5P
100-120	SN-100-120/12W1P	SN-100-120/12W3P	SN-100-120/12W5P
110-130	SN-110-130/12W1P	SN-110-130/12W3P	SN-110-130/12W5P
120-140	SN-120-140/12W1P	SN-120-140/12W3P	SN-120-140/12W5P
130-150	SN-130-150/12W1P	SN-130-150/12W3P	SN-130-150/12W5P
140-160	SN-140-160/12W1P	SN-140-160/12W3P	SN-140-160/12W5P
150-170	SN-150-170/12W1P	SN-150-170/12W3P	SN-150-170/12W5P
160-180	SN-160-180/12W1P	SN-160-180/12W3P	SN-160-180/12W5P
170-190	SN-170-190/12W1P	-	-
180-200	SN-180-200/12W1P	SN-180-200/12W3P	SN-180-200/12W5P
190-210	SN-190-210/12W1P	-	-
200-220	SN-200-220/12W1P	-	-
210-230	SN-210-230/12W1P	SN-210-230/12W3P	SN-210-230/12W5P
230-250	SN-230-250/12W1P	SN-230-250/12W3P	SN-230-250/12W5P
260-280	SN-260-280/12W1P	SN-260-280/12W3P	SN-260-280/12W5P
280-300	SN-280-300/12W1P	SN-280-300/12W3P	SN-280-300/12W5P

BULK PACKS OF 100 ARE AVAILABLE ON REQUEST

CONTINUOUS WORMDRIVE BAND & BUCKLES

Rolls of Wormdrive Band and buckles allow you to make up what ever size clamp you require. Simply Cut to size, attach buckle and tighten.

DESCRIPTION	PART NUMBER
Band—Stainless Steel 12mm 30mtr	SN-560 8566 003
Band—Mild Steel 12mm 30mtr	SN-560 8566 001
Buckles- Stainless Steel Box 50	SN-560 8565 003
Buckles- Mild Steel Box 50	SN-560 8565 001



PRICING FOR THIS SECTION FOUND IN THE INDUSTRIAL PRODUCTS PRICE LIST

Customer Service - Phone: 1300 349 320 Fax: 1300 349 321

www.fhshose.com.au

MELBOURNE - SYDNEY - NEWCASTLE



CONSTANT TORQUE & SPRING

CONSTANT TORQUE CLAMP WITH SPRING



CLAMPING RANGE - MM	9MM BAND	12MM BAND
12-20	SN-12-20/9CT	-
16-25	SN-16-25/9CT	SN-16-27/12CT
20-32	SN-20-32/9CT	-
25-40	SN-25-40/9CT	SN-25-40/12CT
30-45	SN-30-45/9CT	SN-30-45/12CT
32-50	SN-32-50/9CT	SN-35-50/12CT
40-60	SN-40-60/9CT	SN-40-60/12CT
50-70	-	SN-50-70/12CT
60-80	-	SN-60-80/12CT
70-90	-	SN-70-90/12CT
80-100	-	SN-80-100/12CT
90-110	-	SN-90-110/12CT
100-120	-	SN-100-120/12CT
120-140	-	SN-120-140/12CT

SPRING CLAMP



CLAMPING RANGE - MM	PART NUMBER
13 mm	SN-FBS13/12
14 mm	SN-FBS14/12
16 mm	SN-FBS16/12
17 mm	SN-FBS17/12
19 mm	SN-FBS19/12
20 mm	SN-FBS20/12
22 mm	SN-FBS22/12
23 mm	SN-FBS23/12
24 mm	SN-FBS24/12
26mm	SN-FBS26/12
27 mm	SN-FBS27/12
32 mm	SN-FBS32/12
35 mm	SN-FBS35/12
36 mm	SN-FBS36/12
38 mm	SN-FBS38/12
42 mm	SN-FBS42/12
44 mm	SN-FBS44/12

HEAVY DUTY CONSTANT TORQUE W2 Heavy Duty



CLAMPING RANGE - MM	PART NUMBER
55-65	SN-65/20CT
64-74	SN-74/20CT
74-84	SN-84/20CT
88-98	SN-98/20CT
94-104	SN-104/20CT
104-114	SN-114/20CT
112-122	SN-122/20CT
130-140	SN-140/20CT

TOOL FOR SPRING CLAMPS



SUITS	PART NUMBER
All Diameters Spring Clamps	SN-798-12



All dimensions are nominal. Products may vary slightly to those pictured

PRICING FOR THIS SECTION FOUND IN THE INDUSTRIAL PRODUCTS PRICE LIST



Customer Service - Phone: 1300 349 320 Fax: 1300 349 321

www.fhshose.com.au

MELBOURNE - SYDNEY - NEWCASTLE



SLOTTED, HIGH TORQUE & QUICK RELEASE

SLOTTED BAND



CLAMPING RANGE (MM)	BAND WIDTH	PART STAINLESS STEEL	FULL STAINLESS STEEL
6-16mm	8.0	SN-M04	SN-MS04
11-18mm	8.0	SN-M05	SN-MS05
8-22mm	8.0	SN-M06	SN-MS06
11-25mm	12.0	SN-S08	SN-SS08
14-27mm	12.0	SN-S10	SN-SS10
18-32mm	12.0	SN-S12	SN-SS12
21-38mm	12.0	SN-S16	SN-SS16
21-44mm	12.0	SN-S20	SN-SS20
27-51mm	12.0	SN-S24	SN-SS24
33-57mm	12.0	SN-S28	SN-SS28
40-63mm	12.0	SN-S32	SN-SS32
46-70mm	12.0	SN-S36	SN-SS36
52-76mm	12.0	SN-S40	SN-SS40
59-82mm	12.0	SN-S44	SN-SS44
65-89mm	12.0	SN-S48	SN-SS48
72-95mm	12.0	SN-S52	SN-SS52
78-101mm	12.0	SN-S56	SN-SS56
84-108mm	12.0	SN-S60	SN-SS60
91-114mm	12.0	-	SN-SS64
105-127mm	12.0	SN-S72	SN-SS72
143-165mm	12.0	SN-S96	SN-SS96
155-178mm	12.0	SN-S104	SN-SS104
175-197mm	12.0	SN-S116	SN-SS116
140-216mm	12.0	-	SN-SS128
185-230mm	12.0	-	SN-SS136
178-254mm	12.0	-	SN-SS152
250-273mm	12.0	-	SN-SS164
235-311mm	12.0	-	SN-SS188

BULK PACKS OF 100 ARE AVAILABLE ON REQUEST

HIGH TORQUE



CLAMPING RANGE (MM)	BAND WIDTH	HIGH TORQUE SLOTTED CLAMP
25-45mm	16.0	SN-SGS25-45/16W4
32-54mm	16.0	SN-SGS32-54/16W4
45-67mm	16.0	SN-SGS45-67/16W4
57-79mm	16.0	SN-SGS57-79/16W4
70-92mm	16.0	SN-SGS70-92/16W4
83-105mm	16.0	SN-SGS83-105/16W4
95-118mm	16.0	SN-SGS95-118/16W4
108-130mm	16.0	SN-SGS108-130/16W4
121-143mm	16.0	SN-SGS121-143/16W4
133-156mm	16.0	SN-SGS133-156/16W4
146-168mm	16.0	SN-SGS146-168/16W4
159-181mm	16.0	SN-SGS159-181/16W4
172-194mm	16.0	SN-SGS172-194/16W4
184-206mm	16.0	SN-SGS184-206/16W4
197-219mm	16.0	SN-SGS197-219/16W4
210-232mm	16.0	SN-SGS210-232/16W4

QUICK RELEASE CLAMP

14mm Band Width



CLAMPING RANGE - MM	PART NUMBER
51-130mm	SN-QR 72
51-152mm	SN-QR 88
51-176mm	SN-QR 104
51-197mm	SN-QR 116
60-215mm	SN-QR 128
60-254mm	SN-QR 152
60-311mm	SN-QR 188

All dimensions are nominal. Products may vary slightly to those pictured

PRICING FOR THIS SECTION FOUND IN THE INDUSTRIAL PRODUCTS PRICE LIST

Customer Service - Phone: 1300 349 320 Fax: 1300 349 321

www.fhshose.com.au

MELBOURNE - SYDNEY - NEWCASTLE





COBRA CLIPS & FUEL LINE CLAMPS

COBRA CLIPS
Stainless Steel



CLAMP RANGE MM	7MM WIDE BAND PART NUMBER	8MM WIDE BAND PART NUMBER	9MM WIDE BAND PART NUMBER
8.0-9.0	SN-C7.5/7	-	-
8.5-9.5	SN-C8/7	-	-
9.0-10.0	SN-C8.5/7	-	-
9.5-10.5	SN-C9/7	-	-
10.0-11.0	SN-C9.5/7	-	-
10.5-11.5	SN-C10/7	-	-
11.0-12.0	SN-C10.5/7	-	-
11.5-12.5	SN-C11/7	-	-
12.0-13.5	-	SN-C11.5/8	-
12.5-14.0	-	SN-C12/8	-
13.5-15.0	-	SN-C13/8	-
14.5-16.0	-	SN-C14/8	-
15.5-17.0	-	SN-C15/8	-
16.5-18.0	-	SN-C16/8	-
17.5-19.0	-	SN-C17/8	-
18.5-20.0	-	SN-C18/8	-
19.5-21.0	-	SN-C19/8	-
20.5-22.0	-	SN-C20/8	-
21.5-23.0	-	SN-C21/8	-
22.5-24.0	-	SN-C22/8	-
23.5-25.0	-	SN-C23/8	-
24.5-26.0	-	SN-C24/8	-
25.5-27.0	-	SN-C25/8	-
26.5-28.0	-	SN-C26/8	-
27.5-29.0	-	SN-C27/8	-
28.5-30.0	-	SN-C28/8	-
29.5-31.0	-	SN-C29/8	-
30.5-32.0	-	SN-C30/8	-
34.0-36.0	-		SN-C34/9
36.0-38.0	-		SN-C36/9

DESCRIPTION	PART NUMBER
Tool For Cobra Clamp	SN-CHT/1



FUEL LINE CLIPS
For use with Rubber Fuel Lines



9mm Band Width

CLAMPING RANGE - MM	BOX QTY	W1 ZINC PLATED
7-9mm	10	SN-SL7-9W1P
9-11mm	10	SN-SL9-11W1P
10-12mm	10	SN-SL10-12W1P
11-13mm	10	SN-SL11-13W1P
12-14mm	10	SN-SL12-14W1P
13-15mm	10	SN-SL13-15W1P
14-16mm	10	SN-SL14-16W1P
15-17mm	10	SN-SL15-17W1P

CLAMPING RANGE - MM	BOX QTY	W4 STAINLESS
7.5-8.5mm	10	SN-Mini 8/9W4
8.5-9.5mm	10	SN-Mini 9/9W4
9.5-11.0mm	10	SN-Mini 10/9W4
10.5-12.0mm	10	SN-Mini 11/9W4
11.5-13.0mm	10	SN-Mini 12/9W4
12.5-14.0mm	10	SN-Mini 13/9W4
13.5-15.0mm	10	SN-Mini 14/9W4
14.5-16.0mm	10	SN-Mini 15/9W4
15.0-17.0mm	10	SN-Mini 16/9W4
16.0-18.0mm	10	SN-Mini 17/9W4



All dimensions are nominal.

Products may vary slightly to those pictured

PRICING FOR THIS SECTION FOUND IN THE INDUSTRIAL PRODUCTS PRICE LIST

Customer Service - Phone: 1300 349 320 Fax: 1300 349 321

www.fhshose.com.au

MELBOURNE - SYDNEY - NEWCASTLE



PRICING IN INDUSTRIAL PRODUCTS PRICE LIST



FLUID HANDLING SOLUTIONS

OETIKER CLAMPS



1 Ear With Insert Ring



Stepless 1 Ear



2 Ear Made from Tube

CLAMP RANGE MM	STAINLESS STEEL PART NUMBER
8.5 - 10.0	SN-15400024
9.8 - 11.8	SN-15400029
10.3 - 12.3	SN-15400030
11.1 - 13.1	SN-15400032
11.8 - 13.8	SN-15400034
12.3 - 14.3	SN-15400035
12.8 - 14.8	SN-15400036
13.1 - 15.3	SN-15400037
13.2 - 15.8	SN-15400038
13.9 - 16.1	SN-15400039
14.6 - 16.8	SN-15400040
15.6 - 17.8	SN-15400041
19.2 - 21.8	SN-15400047
22.0 - 24.8	SN-15400050

CLAMP RANGE MM	STAINLESS STEEL PART NUMBER
5.8 - 7.0	SN-16700001
6.8 - 8.0	SN-16700002
7.0 - 8.7	SN-16700003
7.3 - 9.0	SN-16702491
7.8 - 9.5	SN-16700004
8.3 - 10.0	SN-16700005
8.8 - 10.5	SN-16700006
9.2 - 10.9	SN-16702492
9.6 - 11.3	SN-16700007
10.1 - 11.8	SN-16700008
9.8 - 12.3	SN-16700009
10.3 - 12.8	SN-16702493
10.8 - 13.3	SN-16700010
11.3 - 13.8	SN-16700011
12.0 - 14.5	SN-16700013
12.3 - 14.8	SN-16700014
12.8 - 15.3	SN-16700015
13.2 - 15.7	SN-16700016
14.1 - 16.6	SN-16702495
14.5 - 17.0	SN-16700017
14.6 - 17.8	SN-16700018
15.3 - 18.5	SN-16700020
16.0 - 19.2	SN-16700110
16.6 - 19.8	SN-16702498
17.8 - 21.0	SN-16700024
19.4 - 22.6	SN-16700026
20.9 - 24.1	SN-16700029
23.9 - 27.1	SN-16700033
25.4 - 28.6	SN-16700035
26.9 - 30.1	SN-16700037
28.4 - 31.6	SN-16700040
31.4 - 34.6	SN-16700044

CLAMP RANGE MM	PLATED STEEL PART NUMBER	STAINLESS STEEL PART NUMBER
3.4 - 5.0	SN-10100002	-
5.0 - 7.0	SN-10100004	SN-15100003
7.0 - 9.0	SN-10100008	SN-15100004
9.0 - 11.0	SN-10100013	SN-15100005
11.0 - 13.0	SN-10100016	SN-15100006
13.0 - 15.0	SN-10100019	SN-15100007
15.0 - 17.0	SN-10100022	SN-15100008
15.0 - 18.0	SN-10100024	SN-15100009
16.0 - 19.0	SN-10100056	-
17.0 - 20.0	SN-10100027	SN-15100010
19.0 - 22.0	SN-10100029	SN-15100011
20.0 - 23.0	SN-10100030	SN-15100012
22.0 - 25.0	SN-10100032	SN-15100013
23.0 - 27.0	SN-10100034	SN-15100014
25.0 - 28.0	SN-10100035	SN-15100015
28.0 - 31.0	SN-10100039	SN-15100017
31.0 - 34.0	SN-10100041	SN-15100018
34.0 - 37.0	SN-10100043	SN-15100019
37.0 - 40.0	SN-10100045	SN-15100020
40.0 - 43.0	SN-10100047	SN-15100021
43.0 - 46.0	SN-10100049	SN-15100022



Twin Clamp Mild Steel

CLAMP RANGE MM	MILD STEEL PART NUMBER
14.0 - 15.0	SN-10800005
16.0 - 17.0	SN-10800006
18.0 - 19.0	SN-10800007
20.0 - 21.0	SN-10800008

PINCHERS FOR OETIKER CLAMPS



STYLE	PART NUMBER
Standard Hand Pincer	SN-14100082
Side Closing Hand Pincer	SN-14100083

PRICING FOR THIS SECTION FOUND IN THE INDUSTRIAL PRODUCTS PRICE LIST



Customer Service - Phone: 1300 349 320 Fax: 1300 349 321

www.fhshose.com.au

MELBOURNE - SYDNEY - NEWCASTLE



GBS / SUPER CLAMPS

CLAMP RANGE MM	BOX QTY	BAND WIDTH	W1 MILD STEEL	W4 FULL STAINLESS
17-19mm	50	18.0	SN-GBS 18/18W1	SN-GBS 18/18W4
19-21mm	50	18.0	SN-GBS 20/18W1	SN-GBS 20/18W4
21-23mm	50	18.0	SN-GBS 22/18W1	SN-GBS 22/18W4
23-25mm	50	18.0	SN-GBS 24/18W1	SN-GBS 24/18W4
25-27mm	50	18.0	SN-GBS 26/18W1	SN-GBS 26/18W4
27-29mm	50	18.0	SN-GBS 28/18W1	SN-GBS 28/18W4
29-31mm	50	18.0	SN-GBS 30/18W1	SN-GBS 30/18W4
31-34mm	50	18.0	SN-GBS 33/18W1	SN-GBS 33/18W4
34-37mm	50	18.0	SN-GBS 36/18W1	SN-GBS 36/18W4
37-40mm	50	18.0	SN-GBS 39/18W1	SN-GBS 39/18W4
40-43mm	50	18.0	SN-GBS 42/18W1	SN-GBS 42/18W4
43-47mm	50	20.0	SN-GBS 45/20W1	SN-GBS 45/20W4
47-51mm	50	20.0	SN-GBS 49/20W1	SN-GBS 49/20W4
51-55mm	50	20.0	SN-GBS 53/20W1	SN-GBS 53/20W4
55-59mm	50	20.0	SN-GBS 57/20W1	SN-GBS 57/20W4
59-63mm	50	20.0	SN-GBS 61/20W1	SN-GBS 61/20W4
63-68mm	50	20.0	SN-GBS 66/20W1	SN-GBS 66/20W4
68-73mm	25	25.0	SN-GBS 71/25W1	SN-GBS 71/25W4
73-79mm	25	25.0	SN-GBS 76/25W1	SN-GBS 76/25W4
79-85mm	25	25.0	SN-GBS 82/25W1	SN-GBS 82/25W4
85-91mm	25	25.0	SN-GBS 88/25W1	SN-GBS 88/25W4
91-97mm	25	25.0	SN-GBS 94/25W1	SN-GBS 94/25W4
97-104mm	25	25.0	SN-GBS 101/25W1	SN-GBS 101/25W4
104-112mm	25	25.0	SN-GBS 108/25W1	SN-GBS 108/25W4
112-121mm	25	25.0	SN-GBS 117/25W1	SN-GBS 117/25W4
121-130mm	25	25.0	SN-GBS 126/25W1	SN-GBS 126/25W4
130-140mm	10	30.0	SN-GBS 135/30W1	SN-GBS 135/30W4
140-150mm	10	30.0	SN-GBS 145/30W1	SN-GBS 145/30W4
150-162mm	10	30.0	SN-GBS 156/30W1	SN-GBS 156/30W4
162-174mm	10	30.0	SN-GBS 168/30W1	SN-GBS 168/30W4
174-187mm	10	30.0	SN-GBS 181/30W1	SN-GBS 181/30W4
187-200mm	10	30.0	SN-GBS 194/30W1	SN-GBS 194/30W4
200-213mm	10	30.0	SN-GBS 207/30W1	SN-GBS 207/30W4
213-226mm	10	30.0	SN-GBS 220/30W1	SN-GBS 220/30W4
226-239mm	10	30.0	SN-GBS 233/30W1	SN-GBS 233/30W4
239-252mm	10	30.0	SN-GBS 246/30W1	SN-GBS 246/30W4
252-265mm	10	30.0	-	SN-GBS259/30W4
265-278mm	10	30.0	-	SN-GBS272/30W4
278-291mm	10	30.0	-	SN-GBS285/30W4
291-304mm	10	30.0	-	SN-GBS298/30W4
304-317mm	10	30.0	-	SN-GBS311/30W4
317-330mm	10	30.0	-	SN-GBS324/30W4



GBS CLAMPS

A general purpose heavy duty clamp for use in industrial, agriculture, chemical, pharmaceutical, food processing plants and marine applications.

The bevelled edges protect the hose from being damaged.



PRICING FOR THIS SECTION FOUND IN THE INDUSTRIAL PRODUCTS PRICE LIST

Customer Service - Phone: 1300 349 320 Fax: 1300 349 321

www.fhshose.com.au

MELBOURNE - SYDNEY - NEWCASTLE



NORMACONNECT® Pipe Couplings

The Fast & Economical way of joining Plain Ended Piping



NORMACONNECT® Pipe Couplings require no special tools or pipe-end treatment. Flexible, Lightweight, 304 or 316 Stainless Steel construction; The **NORMACONNECT®** Pipe Coupling design allows for pipe-misalignment, will give a reliable seal, allows for 2° angular deflection, vibration or a small gap between pipe ends. The Norma Pipe Couplings are manufactured in Germany and are used in Shipbuilding, Wastewater Treatment, Compressed Air, General Industry, **Mining** and Construction.

New installations, system alterations or repairs, **NORMACONNECT®** will replace the use of welded, flanged, threaded or grooved type pipe joints.

NORMACONNECT® Pipe Couplings are the easiest and most cost effective way to join plain ended pipes. Available in diameters from 26.9 to 2032mm. For system working pressures up to 70* bar. (*Maximum allowable working pressure rating varies according to pipe



Axial Restraint Metal Pipes



Non Restraint All Pipes



Fire Protected Coupling



Axial Restraint Plastic Pipes



Repair Non Restraint All Pipes

ASSEMBLY TOLERANCES

	Up to 35mm Distance between Pipe Ends with Insert
	Up to 3mm Axial Misalignment
	2° Angular Deflection in all directions
	Up to 60mm Pipeovality
	Up to 6mm Outer diameter pipe difference

VARIOUS PIPE MATERIALS

- **METAL - METAL CONNECTIONS**
STEEL, STAINLESS PIPE/TUBE, SPIRAL, DIE - CAST, COPPER, COPPER NICKEL, ALUMINUM, RUBBER COATED STEEL & ZINC PLATED STEEL
- **PLASTIC - PLASTIC CONNECTIONS**
PVC, PE, PP, HDPE, ABS & GF - REINFORCED
- **METAL - PLASTIC CONNECTIONS**
FOR CONNECTION OF ALL METAL PIPES TO ALL PLASTIC PIPES
- **STONEWARE/CONCRETE - PLASTIC/METAL PIPES**
FLEX OR REPAIR COUPLING TO BE USED WITH THESE MATERIALS

TYPE APPROVALS

PHONE YOUR NEAREST FHS BRANCH FOR MORE DETAILS



MERCHANDISERS AND GRAB PACKS



Wall Mount Merchandiser

STYLE OF HOSE CLAMP	CLAMPS INCLUDED (RANGE)	PART NUMBER
W1 Wall Merch	8mm-60mm (qty 135)	SN-NHC135W1
W2 Wall Merch	8mm-60mm (qty 160)	SN-NHC160/9
W3 Wall Merch	8mm-60mm (qty 135)	SN-NHC135W3
W4 Wall Merch	8mm-60mm (qty 135)	SN-NHC135W4
Slotted Band W2 Wall	6mm-57mm (qty 108) & Screwdriver	SN-NHC108W2
Slotted Band W4 Wall	6mm-57mm (qty 108) & Screwdriver	SN-NHC108W4
Space Saver W1 Rack	8mm-60mm (Qty 130) & 2xScrewdriver	SN-NHC130W1
Space Saver W3 Rack	8mm-60mm (Qty 130) & 2xScrewdriver	SN-NHC130W3
Space Saver Cons.tension	8mm-60mm (Qty 130) & 1xScrewdriver	SN-NHC130CT



Space Saver Rack



STYLE OF HOSE CLAMP	CLAMPS INCLUDED (RANGE)	PART NUMBER
GBS Wall Merch W1	17mm-121mm (qty 75)	SN-GBSM75W1
GBS Wall Merch W2	17mm-121mm (qty 75)	SN-GBSM75W2
GBS Wall Merch W4	17mm-121mm (qty 75)	SN-GBSM75W4

GRAB PACK ASSORTMENT	CLAMPS INCLUDED (RANGE)	PART NUMBER
Fuel Line Clamps (Steel)	7mm-17mm (qty 105)	SN-NFC105W1
Fuel Line Clamp (S/S)	8.5mm-17mm (qty 105)	SN-NFC105W4
Standard W1 Hose Clamp	8mm-60mm (qty 100) & Screwdriver	SN-NHC100/W1
Standard W3 Hose Clamp	8mm-60mm (qty 100) & Screwdriver	SN-NHC100/W3
Standard W4 Hose Clamp	8mm-60mm (qty 90) & Screwdriver	SN-NHC90/W4
Contast Tension Clamp	8mm-60mm (qty 100) &Screwdriver	SN-NHC100CT
Pipe Retaining Clips	9mm-32mm (Qty 85)	SN-RSGU85
2 Ear Clamps Steel	7mm -27mm (Qty 130)	SN-10100130
2 Ear Clamps Steel	7mm-27mm (Qty 150) & Pinchers	SN-10100150



CABINET ASSORTMENT	CLAMPS INCLUDED (RANGE)	PART NUMBER
Cobra Clip Cabinet	7.5mm-24mm (qty 240) & tool	SN-CCA240
Pipe Retaining Clip Cabinet	4mm-25mm (qty90)	SN-RSGU90



All dimensions are nominal. Products may vary slightly to those pictured

PRICING FOR THIS SECTION FOUND IN THE INDUSTRIAL PRODUCTS PRICE LIST

Customer Service - Phone: 1300 349 320 Fax: 1300 349 321

www.fhshose.com.au

MELBOURNE - SYDNEY - NEWCASTLE





BAND CLAMPS

BAND & BUCKLES

Type 201 stainless steel. Bandimex is boxed, Band-it is in Plastic
Colour coded Carry baskets (as pictured)



WIDTH	STRAP (100' ROLL)		BUCKLE (100PER BOX)	
	BANDIMEX	BAND-IT	BANDIMEX	BAND-IT
6.4mm	SN-B202	F-C202	SN-S252	F-C252
9.5mm	SN-B203	F-C203	SN-S253	F-C253
12.7mm	SN-B204	F-C204	SN-S254	F-C254
15.8mm	SN-B205	F-C205	SN-S255	F-C255
19.1mm	SN-B206	F-C206	SN-S256	F-C256
25.0mm	SN-B431*		SN-S441*	
32.0mm	SN-B432*		SN-S442*	

*Requires use of Jumbo Banding Tool

BAND-IT ULTRA-LOK

Ultra-Lok are made from 201 stainless steel, this clamping system is quick, easy and versatile. Utilizing the UL9000 electric tool to provide effortless and consistent repeatable clamping. Ideally suited where assemblies are carried out in volume.



CLAMP ID	BOX QTY	PART NUMBER (PER BOX)
19.1 mm Width Band x .76 mm Band Thickness		
50.8mm	100	F-UL227
69.9mm	50	F-UL210
76.2mm	50	F-UL211
88.9mm	50	F-UL212
101.6mm	25	F-UL213
114.3mm	25	F-UL214
127.0mm	25	F-UL215
139.7mm	25	F-UL270
152.4mm	25	F-UL216
165.1mm	25	F-UL217
177.8mm	25	F-UL218
203.2mm	25	F-UL219
228.6mm	10	F-UL228

All dimensions are nominal. Products may vary slightly to those pictured

PRICING FOR THIS SECTION FOUND IN THE INDUSTRIAL PRODUCTS PRICE LIST

Customer Service - Phone: 1300 349 320 Fax: 1300 349 321

www.fhshose.com.au

MELBOURNE - SYDNEY - NEWCASTLE





BAND CLAMPS

BAND-IT JR PREFORMED CLAMP

Band-It JR preformed clamps are made from type 201 stainless steel.
Application requires no hammering or crimping.

The clamps are automatically locked under tension with one simple lever action.



CLAMP ID (MM)	BOX QTY	PRODUCT CODE
<i>6.4mm Band Width x .51 mm Band Thickness</i>		
20.6	100	F-JS240
25.4	100	F-JS242
34.9	100	F-JS241
38.1	100	F-JS252
50.8	100	F-JS253
69.9	100	F-JS256
88.9	100	F-JS257
<i>9.5mm Band Width x .64 mm Band Thickness 546.70</i>		
20.6	100	F-JS201
25.4	100	F-JS243
34.9	100	F-JS202
50.8	100	F-JS245
63.5	100	F-JS221
76.2	100	F-JS246
101.6	100	F-JS248
<i>12.7mm Band Width x .76 mm Band Thickness</i>		
31.8	100	F-JS204
44.5	100	F-JS236
69.9	100	F-JS230
76.2	100	F-JS234
88.9	100	F-JS247
101.6	100	F-JS249
<i>15.9mm Band Width x .76 mm Band Thickness</i>		
38.1	100	F-JS205
44.5	100	F-JS206
50.8	100	F-JS207
57.2	100	F-JS208
63.5	100	F-JS209
<i>19.1mm Band Width x .76 mm Band Thickness</i>		
50.8	100	F-JS227
69.9	50	F-JS210
76.2	50	F-JS211
88.9	50	F-JS212
101.6	25	F-JS213
114.3	25	F-JS214
127	25	F-JS215
152.4	25	F-JS216

All dimensions are nominal.

Products may vary slightly to those pictured

PRICING FOR THIS SECTION FOUND IN THE INDUSTRIAL PRODUCTS PRICE LIST

Customer Service - Phone: 1300 349 320 Fax: 1300 349 321

www.fhshose.com.au

MELBOURNE - SYDNEY - NEWCASTLE





BAND CLAMPS

BAND-IT CENTRE PUNCH CLAMPS

Centre punch clamps are easy to install and provide a strong durable hold.
(Made from 201 Stainless Steel)



CLAMP ID MM	BOX QTY	PART NUMBER
<i>9.5mm Band Width</i>		
20	100	F-CP3S
35	100	F-CP311S
<i>15.9mm Band Width</i>		
25	100	F-CP4S
32	100	F-CP5S
38	100	F-CP6S
45	100	F-CP7S
51	100	F-CP8S
57	100	F-CP9S
63	50	F-CP10S
70	50	F-CP11S
76	50	F-CP12S
89	50	F-CP14S
102	25	F-CP16S
114	25	F-CP18S
127	25	F-CP20S
152	25	F-CP24S
178	25	F-CP28S
203	25	F-CP32S

BAND-IT MERCHANDISING KITS

Scru-Seal - A system of continuous band to be cut to length as required, fit with a Scru-Seal and tension with a screw driver.



DESCRIPTION	CONTENTS	PART NO.
Band & Rack Kit	30.5 m 9.5mm Band 25 Scru-Seals 25 racks	F-M210
Scru-Seal Seals & Racks	10 Each	F-M211
Clamp Pack	3 m of 9.5mm Band 3 Racks, 3 Seals	F-M218

All dimensions are nominal. Products may vary slightly to those pictured

PRICING FOR THIS SECTION FOUND IN THE INDUSTRIAL PRODUCTS PRICE LIST

Customer Service - Phone: 1300 349 320 Fax: 1300 349 321

www.fhshose.com.au

MELBOURNE - SYDNEY - NEWCASTLE





BANDING TOOLS



TOOL FOR USE WITH	PRODUCT CODE
Band-it Standard Band & Buckles	F-C001
Bandimex Standard Band & Buckles Bandimex Jumbo Tool (25 & 32mm Band)	F-W001 F-W402
Centre Punch Clamps—Heavy Duty Tool	F-T300
Centre Punch Clamps—Standard Tool	F-S38
Ultra-lock Tool (Attachment Only)	F-UL9000
Preformed Clamps Adaptor (for use with C001 Tool)	F-J001
Preformed Clamps	F-C002

All dimensions are nominal. Products may vary slightly to those pictured

PRICING FOR THIS SECTION FOUND IN THE INDUSTRIAL PRODUCTS PRICE LIST

Customer Service - Phone: 1300 349 320 Fax: 1300 349 321

www.fhshose.com.au

MELBOURNE - SYDNEY - NEWCASTLE





OTHER CLAMPS

CLAM SHELLS

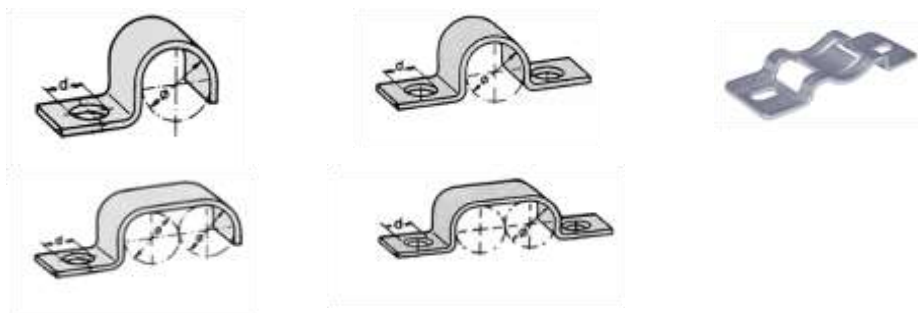
- Fuel Line Clamps
- Mixed Assortments
- GBS (T-Bolt)
- Pipe Retaing Clips
- High Torque Clamps



THUMB SCREWS FOR WORMDRIVES



PIPE FIXING CLAMPS



TERRY TOOL CLIPS



All dimensions are nominal. Products may vary slightly to those pictured

PRICING FOR THIS SECTION FOUND IN THE INDUSTRIAL PRODUCTS PRICE LIST

Customer Service - Phone: 1300 349 320 Fax: 1300 349 321

www.fhshose.com.au

MELBOURNE - SYDNEY - NEWCASTLE



Abrasives
Airbrake Fittings
Airline Couplings
Automotive Belts
Ball Valves
Bauer Fittings
Band-It
Brass Fittings
Camlock Fittings
Chain & Sprockets
Check Valves
Claw Couplers
Composite Hose
Couplings
Ducting
Filter Regulators
Fire Fittings
Gate Valves
Glue
Hose Assemblies
Hose Fittings
Hose Reels
Hydraulic Adaptors
Hydraulic Couplings
Hydraulic Hose
Industrial Belts
Layflat Hose
Nozzles
Nylon Tube
Pipe Fittings
Pneumatics
Poly Fittings
Polyurethane Tube
Pool Hose
Pressure Gauges
PTFE Fittings
Push-In Fittings
PVC Hose
Quick Couplings
Rubber Hose
Sheet Rubber
Silicone Hose
Stainless Steel Fittings
Stainless Steel Hose
Strainers
Steam Fittings
Super Clamps
Tank Fittings
Tubing
Wormdrives



FLUID HANDLING SOLUTIONS

LOCATIONS



BRAESIDE
Unit 5 / 200-208
Boundary Rd
Braeside VIC. 3195

BAYSWATER
Unit 1 / 477
Dorset Rd
Bayswater VIC. 3153

CUSTOMER SERVICE

P: 1300 349 320

F: 1300 349 321



SYDNEY
25 Clyde St
Rydalmere NSW. 2116

NEWCASTLE
Unit 2 / 34
Portside Crescent
Maryville NSW. 2293